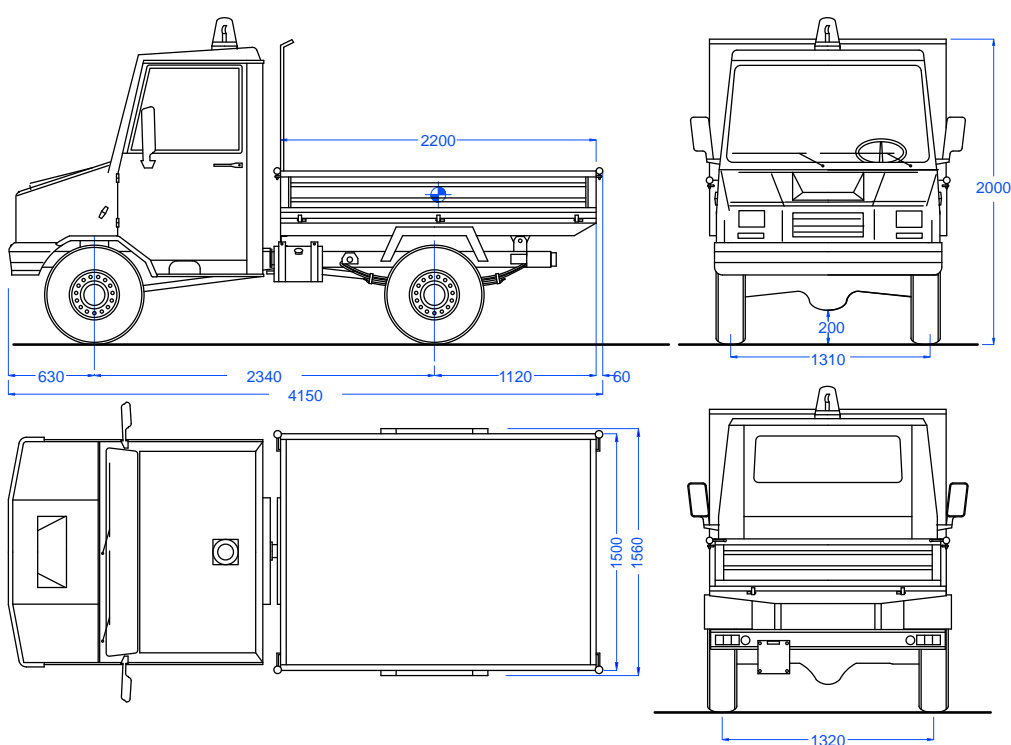




TECHNICAL SPECIFICATIONS

DRIVER POSITION	Left-hand drive.
GEARBOX	10 forward + 2 reverse speeds (5+1 low range, 5+1 high range) with independent disengagement of the front-wheel drive (in both low and high range).
BRAKES	<u>Servo-assisted hydraulic brakes</u> , with dual-circuit pump, rear drums and front discs. Mechanical parking brake on rear axle.
WHEELS/TYRES	195R14C. (Optional remoulded 195/70 R15C off-road tyres, <u>not covered by warranty</u>).
CAB	Type-approved 2 seats, sound-insulated with tempered glass, 2 windscreen wipers, storage compartment under tilting bench seat, interior heating (not available with air-cooled engines), seat-belts, wind-down windows, type-approved crush protection roll-bar.
BODY	2200 x 1500 x 300 mm with headboard (behind cab).
PAYLOAD	1500 kg (2900 kg gross vehicle weight rating).
CHASSIS	Tubular profiles and sheet steel with central joint on tapered roller bearings for enhanced grip of the 4 driven wheels on any type of terrain.
SUSPENSION	Front: MacPherson independent suspension with coil springs and shock-absorbers with top mounting equipped with ball bearing. Rear: with leaf-springs and double-acting shock absorbers.
POWER TAKE-OFF	Predisposed, variable-speed central coupling (on transfer case).
ELECTRICAL SYSTEM	12V regulation-compliant lighting system, reversing light, flashing beacon
SPEED	40.0 km/h.
STANDARD EQUIPMENT	Spare wheel, tow bar (non-type approved), rear light guards, wash/wipe kit, combination light switch, jack with wrench, user accessories, use and maintenance manual, colour: red.

RAMBO S5



VERSIONS

	PART NUMBER	DESCRIPTION
L1	E02 P00A	Lombardini 9LD625/2 twin-cylinder, 4-stroke, air-cooled diesel. Rated power 26.0 HP (18.8 kW) @ 3000 rpm. Displacement 1248 cc, peak torque 67 Nm @ 2000 rpm.
LDW	E02 P00C	Lombardini LDW 1404 (97/68/EC Step III A Approved), 4-cylinder, 4-stroke, water-cooled diesel with axial fan. Rated power 35.0 HP (25.5 kW) @ 3600 rpm, displacement 1371 cc, peak torque 78 Nm @ 2200 rpm.

OPTIONAL VARIANTS AND ACCESSORIES

PART NUMBER	DESCRIPTION
E02 P001	Electro-hydraulic rear tipping with 2 pistons
E02 P002	Electro-hydraulic three-way tipping with 2 pistons (only for version without central joint)
E02 P006	PTO unit with disengagement, drive shaft and manual accelerator
E02 P007	Tow bar, type-approved for trailer weight of 1400 kg
E02 P008	Power-assisted steering
E02 P009	195/70 R15C tyres (difference)
E02 P012	Stereo radio system
E02 P016	Cab-mounted work-light bar with 2 lights
E02 G019	Inverter unit for rear PTO
Colour	Colours other than the standard red to be chosen from the catalogue (difference)
VARIANTS AND ACCESSORIES FOR PICK-UP BODY: SEE SECTION 4	