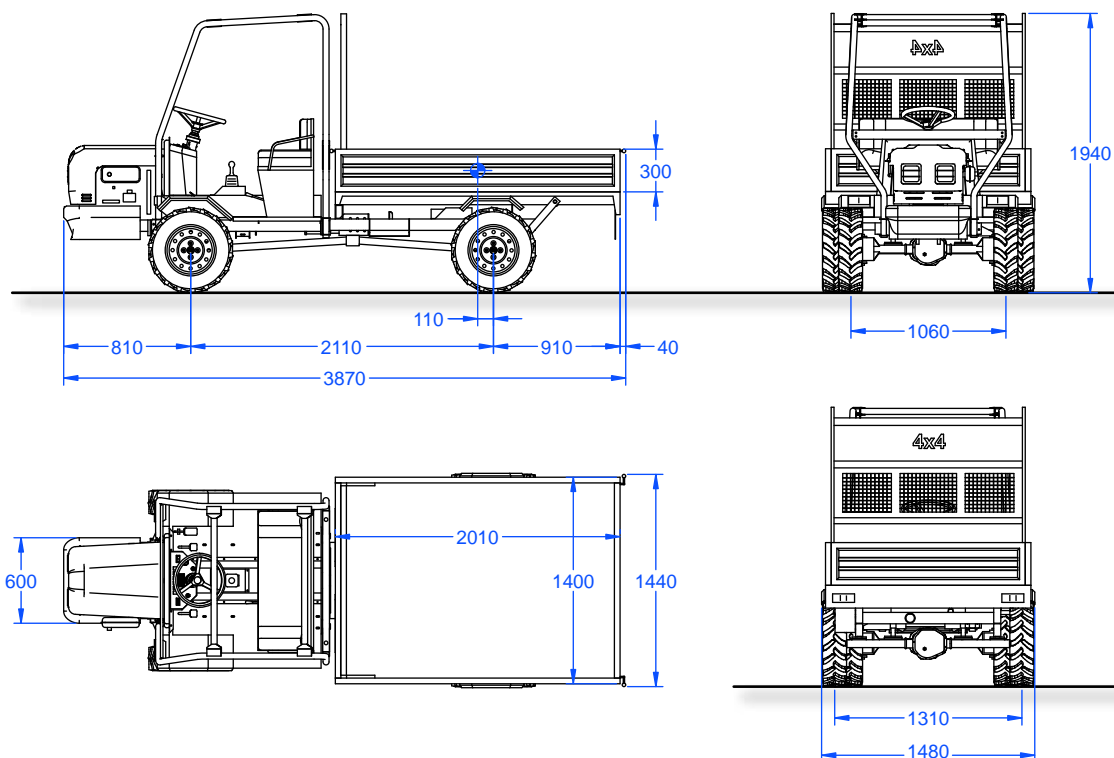




### TECHNICAL SPECIFICATIONS

|                           |  |
|---------------------------|--|
| <b>DRIVER POSITION</b>    | Central.   |
| <b>GEARBOX</b>            | 10 forward + 2 reverse speeds (5+1 low range, 5+1 high range).   |
| <b>BRAKES</b>             | Hydraulic with dual-circuit pump, rear drum brakes and front disc brakes. Mechanical parking brake on rear axle.   |
| <b>DRIVE</b>              | Permanent 4-wheel drive.   |
| <b>WHEELS/TYRES</b>       | 6.5/80x15 TM.  |
| <b>BODY</b>               | 2010 x 1400 x 300 mm.  |
| <b>PAYLOAD</b>            | 1100 kg (2000 kg gross vehicle weight rating).   |
| <b>CHASSIS</b>            | Tubular profiles and sheet steel with central joint on tapered roller bearings.  |
| <b>POWER TAKE-OFF</b>     | Predisposed, variable-speed central coupling (on transfer case).   |
| <b>ELECTRICAL SYSTEM</b>  | 12V with regulation-compliant lighting system and flashing beacon.   |
| <b>SPEED</b>              | 30.68 km/h.  |
| <b>ROLL-BAR</b>           | Type-approved crush protection.  |
| <b>STANDARD EQUIPMENT</b> | Spare wheel, jack with wrench, hourmeter, rear-view mirrors, <b>remote-mounted silencer</b> , <b>remote-mounted fuel tank (for RAMBO ECON L1 only)</b> , seat-belt, user accessories, use and maintenance manual, colour: red. |



RAMBO ECON

## VERSIONS

|           | PART NUMBER | DESCRIPTION   |
|-----------|-------------|---|
| <b>L</b>  | E11 P00A    | Lombardini 12LD477-2/B3, twin-cylinder, 4-stroke, air-cooled diesel. Rated power 23.1 HP (17.0 kW) @ 3000 rpm. Displacement 954 cc.                           |
| <b>L1</b> | E11 P00B    | Lombardini 9LD625/2 twin-cylinder, 4-stroke, air-cooled diesel. Rated power 26.0 HP (18.8 kW) @ 3000 rpm. Displacement 1248 cc, peak torque 67 Nm @ 2000 rpm. |

## OPTIONAL VARIANTS AND ACCESSORIES

| PART NUMBER   | DESCRIPTION   |
|---|---|
| E11 P001  | Electro-hydraulic tipping of body   |
| E11 P002  | Cab with tempered glass and windscreen wiper  |
| E11 P003  | Headboard (behind cab)  |
| E11 P007  | Rear PTO unit with drive shaft and manual accelerator   |
| E11 P008  | Rear PTO unit with in-cab disengage control, drive shaft and manual accelerator (available only with transfer case with disengagement, P/N E01 G009A) |
| E11 P009  | Transfer case with disengagement of front-wheel drive in high range gears   |
| E11 P010  | Non-type-approved tow bar   |
| E11 P011  | Front leaf-springs  |
| E11 P012  | Rear leaf-springs   |
| E11 P013  | Remote-mounted fuel tank (for RAMBO ECON L only)  |
| E11 P014  | Reversing light   |
| E11 P015  | Cataphoretic cab coating  |
| E11 P016  | Manual accelerator  |
| E11 P018  | Hard top in galvanised steel  |
| E11 P019  | Cantilever rear implement mounting plate (ideal for irrigation/sprinkler pump)  |
| E11 P020  | Inverter unit for rear PTO  |
| Colour  | Colours other than the standard red to be chosen from the catalogue (difference)  |
| <b>VARIANTS AND ACCESSORIES FOR PICK-UP BODY: SEE SECTION 4</b> |   |