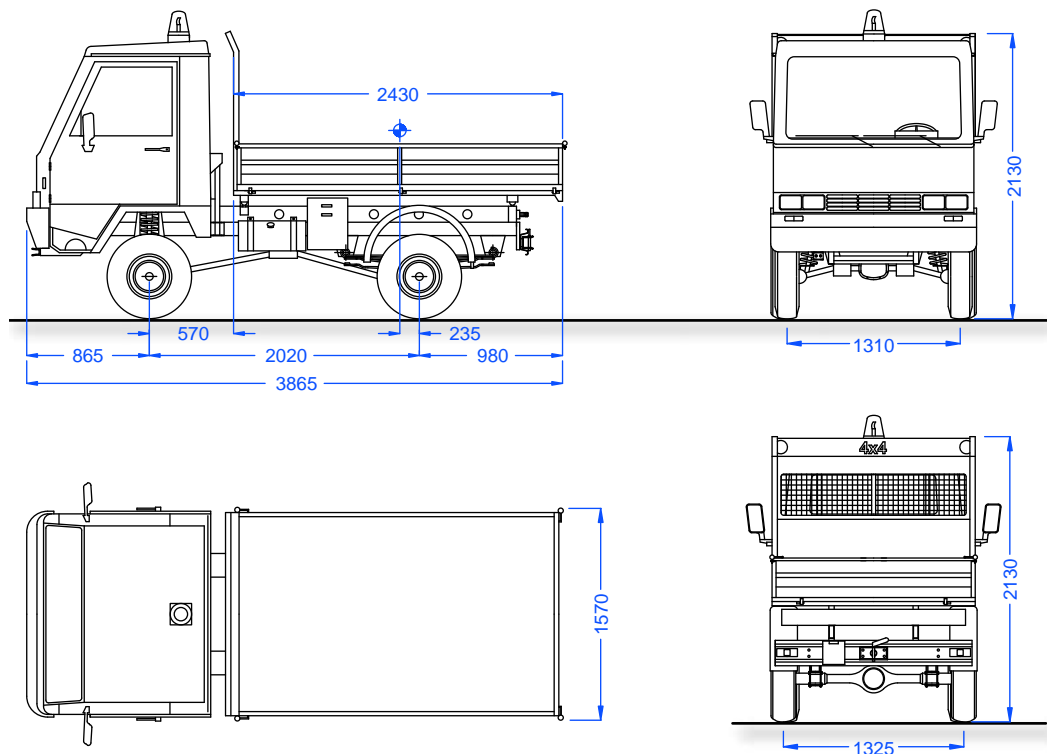




TECHNICAL SPECIFICATIONS

DRIVER POSITION	Left-hand drive (optional power-assisted steering).
GEARBOX	10 forward + 2 reverse speeds (5+1 low range, 5+1 high range) with independent disengagement of the front-wheel drive (in both low and high range).
BRAKES	Servo-assisted hydraulic brakes with dual-circuit pump, rear drums and front discs. Mechanical parking brake on rear axle.
WHEELS/TYRES	195R14C. (Optional remoulded 195/70 R15C off-road tyres, <u>not covered by warranty</u>).
BODY	2430 x 1500 x 350 mm with headboard (behind cab). Electro-hydraulic three-way tipping with 2 pistons. Top- and bottom-hinged tailgate.
PAYLOAD	Max 1700 kg (gross vehicle weight rating 3200 kg).
SUSPENSION	Front: new design MacPherson independent suspension with coil springs, wishbone lower arm and shock-absorbers with top mounting equipped with ball bearing. Rear: with leaf-springs and double-acting shock absorbers.
CHASSIS	Tubular profiles and sheet steel with welded counterframe. Variant available with front joint on tapered roller bearings for enhanced grip of the four driven wheels on any type of terrain.
POWER TAKE-OFF	Predisposed, variable-speed central coupling (on transfer case).
ELECTRICAL SYSTEM	12V regulation-compliant lighting system, reversing light, flashing beacon.
SPEED	40 km/h.
CAB	Type-approved for 3 seats , sound-insulated with tempered glass, windscreen wipers, bench seat, seat-belts, interior heating (not available with air-cooled engines), type-approved crush protection roll-bar.
STANDARD EQUIPMENT	Spare wheel, jack with wrench, rear light guards, tow bar (non-type approved), wash/wipe kit, combination light switch, user accessories, use and maintenance manual, colour: red.

PANTERA



VERSIONS

	PART NUMBER	DESCRIPTION	
L1	E05 P00A	Lombardini 9LD625/2 twin-cylinder, 4-stroke, air-cooled diesel. Rated power 26.0 HP (18.8 kW) @ 3000 rpm. Displacement 1248 cc, peak torque 67 Nm @ 2000 rpm.	
LDW	E05 P00B	Lombardini LDW 1404 (97/68/EC Step III A Approved), 4-cylinder, 4-stroke, water-cooled diesel with axial fan. Rated power 35.0 HP (25.5 kW) @ 3600 rpm, displacement 1371 cc, peak torque 78 Nm @ 2200 rpm.	
CHD	E05 P00C	Lombardini LDW 1603 CHD (97/68/EC Step III A Approved), 3-cylinder, 4-stroke, water-cooled diesel with axial fan. Rated power 37.50 HP (27.6 kW) @ 3000 rpm, displacement 1649 cc, peak torque 106 Nm @ 1600 rpm.	
3CE1	E05 P00D	ISUZU 3CE1/D (97/68/EC Step III A Approved), 3-cylinder, 4-stroke, direct-injection, water-cooled diesel with axial fan. Rated power 40.5 HP (30.0 kW) @ 3000 rpm, displacement 1642 cc, peak torque 119.4 Nm @ 1200 rpm.	

OPTIONAL VARIANTS AND ACCESSORIES

PART NUMBER	DESCRIPTION	
E05 P004	Rear PTO unit with disengagement, drive shaft and manual accelerator	
E05 P005	Tow bar, type-approved for trailer weight of 1500 kg	
E05 P006	Chassis with front joint on tapered roller bearings with shock absorbers	
E05 P007	Cataphoretic cab coating	
E05 P008	Power-assisted steering	
E05 P009	195/70 R15C tyres (difference)	
E05 P012	Electric windows	
E05 P014	Stereo radio system	
E05 P015	Top- and bottom-hinged tailgate (difference).	
E05 P018	Cab-mounted work-light bar with 2 lights	
E05 P019	Inverter unit for rear PTO	
Colour	Colours other than the standard red to be chosen from the catalogue (difference)	
VARIANTS AND ACCESSORIES FOR PICK-UP BODY: SEE SECTION 4		