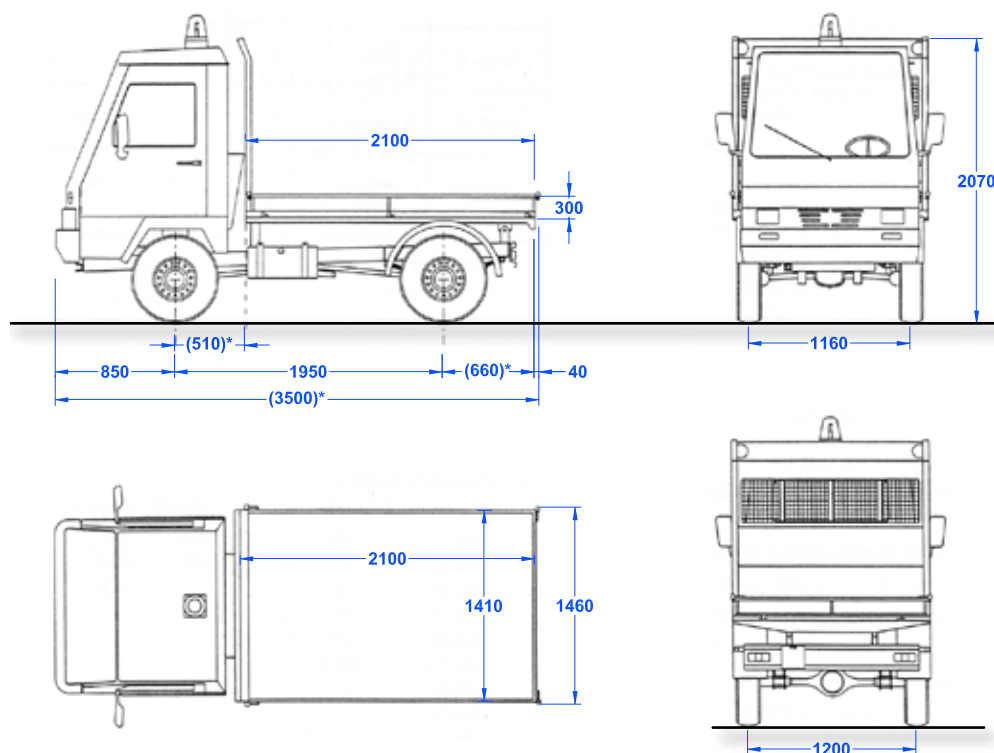




TECHNICAL SPECIFICATIONS

DRIVER POSITION	Left-hand drive (optional power-assisted steering).
GEARBOX	10 forward + 2 reverse speeds (5+1 low range, 5+1 high range) with independent disengagement of the front-wheel drive (in both low and high range).
BRAKES	Servo-assisted hydraulic brakes with dual-circuit pump, rear drums and front discs. Mechanical parking brake on rear axle.
WHEELS/TYRES	185R14C. (Optional remoulded 185R14C off-road tyres, <u>not covered by warranty</u>).
BODY	2100 x 1400 x 300 mm with headboard (behind cab).
PAYLOAD	1100 kg (gross vehicle weight rating 2300 kg)
SUSPENSION	Front: MacPherson independent suspension with coil springs and shock-absorbers with top mounting equipped with ball bearing. Rear: with leaf-springs and double-acting shock absorbers.
CHASSIS	Rigid chassis made of tubular profiles and sheet steel with counterframe. Available in version with rear joint for enhanced grip of the four driven wheels on any type of terrain (for L1 and LDW versions only).
POWER TAKE-OFF	Predisposed, variable-speed central coupling (on transfer case).
ELECTRICAL SYSTEM	12V regulation-compliant lighting system, reversing light, flashing beacon.
SPEED	40 km/h.
CAB	Type-approved 2 seats, sound-insulated with tempered glass, windscreen wiper, bench seat, seat-belts, interior heating (not available with air-cooled engines), type-approved crush protection roll-bar.
STANDARD EQUIPMENT	Spare wheel, jack with wrench, rear light guards, tow bar (non-type approved), wash/wipe kit, combination light switch, user accessories, use and maintenance manual, colour: red.



VERSIONS

	PART NUMBER	DESCRIPTION	
L1	E04 P00A	Lombardini 9LD625/2 twin-cylinder, 4-stroke, air-cooled diesel. Rated power 26.0 HP (18.8 kW) @ 3000 rpm. Displacement 1248 cc, peak torque 67 Nm @ 2000 rpm.	
CHD	E04 P00C	Lombardini LDW 1603 CHD (97/68/EC Step III A Approved), 3-cylinder, 4-stroke, water-cooled diesel with axial fan. Rated power 37.50 HP (27.6 kW) @ 3000 rpm, displacement 1649 cc, peak torque 106 Nm @ 1600 rpm.	
3CE1	E04 P00D	ISUZU 3CE1/D (97/68/EC Step III A Approved), 3-cylinder, 4-stroke, direct-injection, water-cooled diesel with axial fan. Rated power 40.5 HP (30.0 kW) @ 3000 rpm, displacement 1642 cc, peak torque 119.4 Nm @ 1200 rpm.	
LDW	E04 P00E	Lombardini LDW 1404 (97/68/EC Step III A Approved), 4-cylinder, 4-stroke, water-cooled diesel with axial fan. Rated power 35.0 HP (25.5 kW) @ 3600 rpm, displacement 1371 cc, peak torque 78 Nm @ 2200 rpm.	

OPTIONAL VARIANTS AND ACCESSORIES

PART NUMBER	DESCRIPTION	
E04 P001	Electro-hydraulic rear tipping with 2 pistons	
E04 P002	Electro-hydraulic three-way tipping with 2 pistons (only for version without jointed chassis)	
E04 P003	Chassis with rear joint (for L1 and LDW versions only)	
E04 P007	Rear PTO unit with disengagement, drive shaft and manual accelerator	
E04 P008	Tow bar, type-approved for trailer weight of 1200 kg	
E04 P009	Cataphoretic cab coating	
E04 P010	Power-assisted steering	
E04 P011	165/75 R14C tyres (difference)	
E04 P013	Stereo radio system	
E04 P018	Cab-mounted work-light bar with 2 lights	
E04 P019	Inverter unit for rear PTO	
Colour	Colours other than the standard red to be chosen from the catalogue (difference)	
	VARIANTS AND ACCESSORIES FOR PICK-UP BODY: SEE SECTION 4	