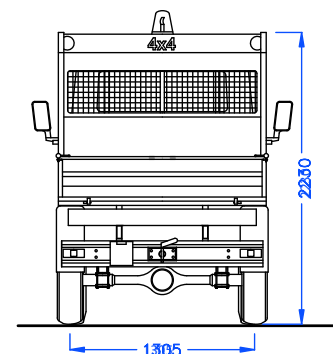
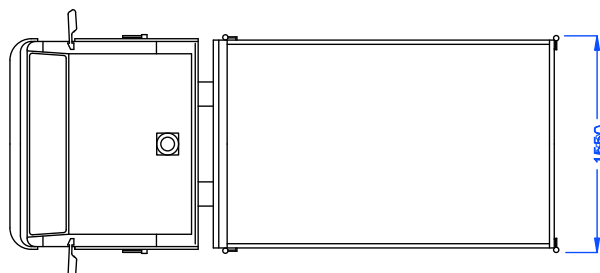
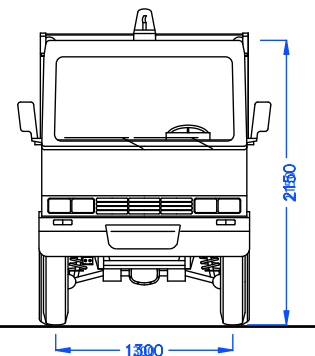
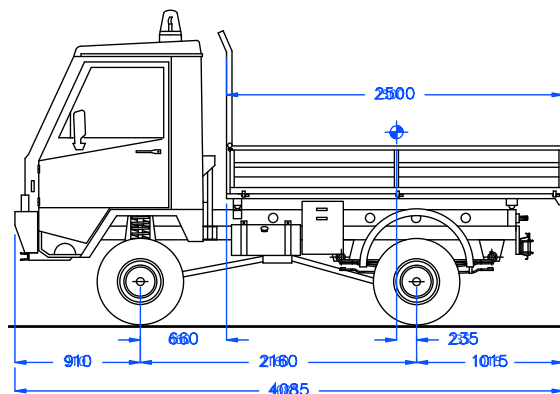




TECHNICAL SPECIFICATIONS

DRIVER POSITION	Left-hand drive with power assisted steering as standard.
GEARBOX	10 forward + 2 reverse speeds (5+1 low range, 5+1 high range) with independent disengagement of the front-wheel drive (in both low and high range).
BRAKES	Servo-assisted hydraulic brakes with dual-circuit pump, rear drums and front discs. Mechanical parking brake on rear axle.
WHEELS/TYRES	195/70 R15C with five-hole rims. (Optional remoulded 195/70 R15C off-road tyres, <u>not covered by warranty</u>).
BODY	2500 x 1500 x 350 mm with headboard (behind cab). Electro-hydraulic three-way tipping with 2 pistons. Top- and bottom-hinged tailgate.
PAYLOAD	Max 1800 kg (gross vehicle weight rating 3700 kg).
SUSPENSION	Front: MacPherson independent suspension with coil springs and shock-absorbers with top mounting equipped with ball bearing. Rear: with parabolic leaf-springs and double-acting shock absorbers.
CHASSIS	Bolted steel chassis comprising 2 ASSOFLEX C-section rails.
POWER TAKE-OFF	Predisposed, variable-speed central coupling (on transfer case).
ELECTRICAL SYSTEM	12V regulation-compliant lighting system, reversing light, flashing beacon.
SPEED	40 km/h.
CAB	Type-approved for 3 seats , sound-insulated with tempered glass, windscreen wipers, split sliding seats, seat-belts, interior heating, type-approved crush protection roll-bar.
STANDARD EQUIPMENT	Spare wheel, jack with wrench, rear light guards, tow bar (non-type approved), wash/wipe kit, combination light switch, user accessories, use and maintenance manual, colour: red.



VERSIONS

	PART NUMBER	DESCRIPTION	
3CE1	E09 P00A	ISUZU 3CE1/D (97/68/EC Step III A Approved), 3-cylinder, 4-stroke, direct-injection, water-cooled diesel with axial fan. Rated power 40.5 HP (30.0 kW) @ 3000 rpm, displacement 1642 cc, peak torque 119.4 Nm @ 1200 rpm.	
L2	E09 P00B	Lombardini LDW 1603 CHD (97/68/EC Step III A Approved), 3-cylinder, 4-stroke, water-cooled diesel with axial fan. Rated power 37.50 HP (27.6 kW) @ 3000 rpm, displacement 1649 cc, peak torque 106 Nm @ 1600 rpm.	

OPTIONAL VARIANTS AND ACCESSORIES

PART NUMBER	DESCRIPTION	
E09 P004	Rear PTO unit with disengagement, drive shaft and manual accelerator	
E09 P005	Tow bar, type-approved for trailer weight of 1500 kg	
E09 P007	Cataphoretic cab coating	
E09 P012	Electric windows	
E09 P014	Stereo radio system	
E09 P018	Cab-mounted work-light bar with 2 lights	
E09 P019	Inverter unit for rear PTO	
Colour	Colours other than the standard red to be chosen from the catalogue (difference)	
VARIANTS AND ACCESSORIES FOR PICK-UP BODY: SEE SECTION 4		