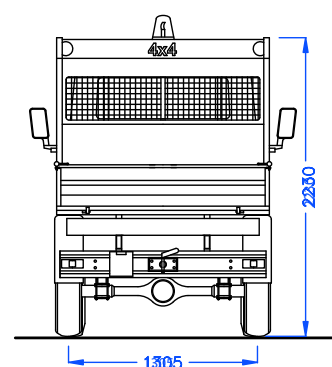
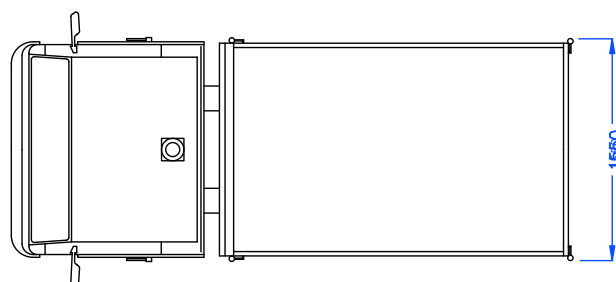
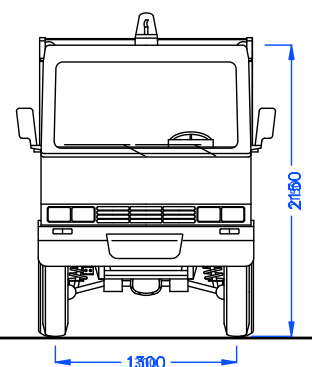
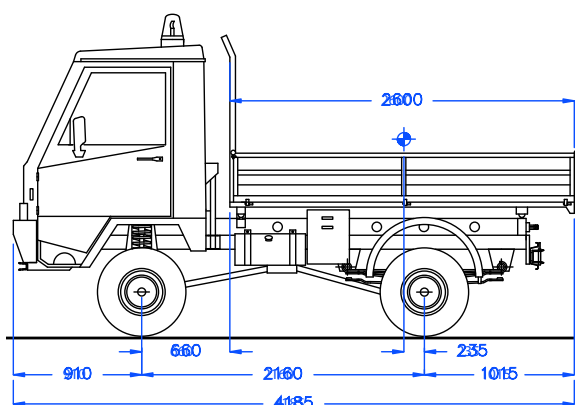




TECHNICAL SPECIFICATIONS

DRIVER POSITION	Left-hand drive with power assisted steering as standard.
GEARBOX	IVECO 10 forward + 2 reverse speeds (5+1 low range, 5+1 high range) with independent disengagement of the front-wheel drive (in both low and high range).
BRAKES	Servo-assisted hydraulic brakes with dual-circuit pump, rear drums and front discs. Mechanical parking brake on rear axle.
WHEELS/TYRES	195/70 R15C with five-hole rims. (Optional remoulded 195/70 R15C off-road tyres, <u>not covered by warranty</u>).
BODY	2600 x 1500 x 350 mm with headboard (behind cab). Electro-hydraulic three-way tipping with 2 pistons. Top- and bottom-hinged tailgate.
PAYLOAD	Max 1800 kg (gross vehicle weight rating 3700 kg).
SUSPENSION	Front: MacPherson independent suspension with coil springs and shock-absorbers with top mounting equipped with ball bearing. Rear: with parabolic leaf-springs and double-acting shock absorbers.
CHASSIS	Bolted steel chassis comprising 2 ASSOFLEX C-section rails.
POWER TAKE-OFF	Predisposed, variable-speed central coupling (on transfer case).
ELECTRICAL SYSTEM	12V regulation-compliant lighting system, reversing light, flashing beacon.
SPEED	40 km/h.
CAB	Type-approved for 3 seats , sound-insulated with tempered glass, windscreen wipers, split sliding seats, seat-belts, interior heating, type-approved crush protection roll-bar.
STANDARD EQUIPMENT	Spare wheel, jack with wrench, rear light guards, tow bar (non-type approved), wash/wipe kit, combination light switch, user accessories, use and maintenance manual, colour: red.



VERSIONS

	PART NUMBER	DESCRIPTION
LDW	E11 P00A	Lombardini LDW 2204 CHD (97/68/EC Step III A Approved), 4-cylinder, 4-stroke, water-cooled diesel with axial fan. Rated power 50 HP (36.6 kW) @ 3000 rpm, displacement 2199 cc, peak torque 132.5 Nm @ 2000 rpm.

OPTIONAL VARIANTS AND ACCESSORIES

PART NUMBER	DESCRIPTION
E11 P004	Rear PTO unit with disengagement, drive shaft and manual accelerator
E11 P005	Type-approved tow bar for unbraked trailer weight of 1500 kg (1900 kg with overrun brakes)
E11 P007	Cataphoretic cab coating
E11 P012	Electric windows
E11 P014	Stereo radio system
E11 P018	Cab-mounted work-light bar with 2 lights
E11 P019	Pick-up body with hydraulic rear tipping and hydraulic loading system
E11 P020	Inverter unit for rear PTO
Colour	Colours other than the standard red to be chosen from the catalogue (difference)
VARIANTS AND ACCESSORIES FOR PICK-UP BODY: SEE SECTION 4	