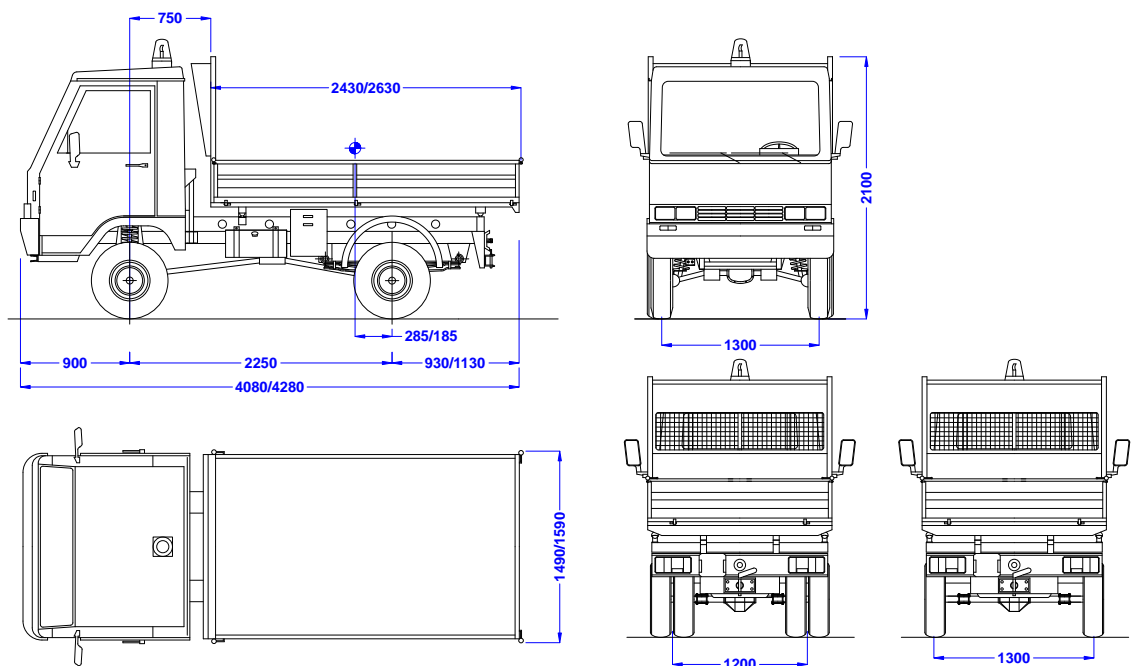




TECHNICAL SPECIFICATIONS

DRIVER POSITION	Left-hand drive with power assisted steering as standard.
GEARBOX	New Iveco gearbox with 10 forward + 2 reverse speeds (5+1 low range, 5+1 high range) and reinforced final drive with third locking differential .
BRAKES	Servo-assisted hydraulic brakes with brake compensator, dual-circuit pump, rear drums and front discs. Mechanical parking brake on rear axle.
DIMENSIONS	Wheelbase 2250 mm, length 4080 mm.
WHEELS/TYRES	205/70 R15C.
BODY	2430 x 1490 x 400 mm with headboard (behind cab). Electro-hydraulic three-way tipping with 2 pistons. Top- and bottom-hinged tailgate.
PAYLOAD	Max 1500 kg, gross vehicle weight rating 3700 kg.
SUSPENSION	Front: MacPherson independent suspension with coil springs and shock-absorbers with top mounting equipped with ball bearing. Rear: with parabolic leaf-springs and double-acting shock absorbers.
CHASSIS	Bolted steel chassis comprising 2 ASSOFLEX C-section rails.
POWER TAKE-OFF	Predisposed, variable-speed central coupling (on transfer case).
ELECTRICAL SYSTEM	12V regulation-compliant lighting system, reversing light, fog light, flashing beacon.
SPEED	40 km/h.
CAB	Type-approved for 2 seats, sound-insulated with tempered glass, windscreen wipers, split sliding seats, seat-belts, interior heating, type-approved crush protection roll-bar.
STANDARD EQUIPMENT	Spare wheel, jack with wrench, type-approved tow bar for unbraked trailer weight of 1500 kg, electric windows, stereo radio system, rear light guards, wash/wipe kit, light combination switch, user accessories, use and maintenance manual, colour: red.

LEGEND



VERSIONS

	PART NUMBER	DESCRIPTION
LDW	E10 R00A	Lombardini LDW 2204 CHD (97/68/EC Step III A Approved), 4-cylinder, 4-stroke, water-cooled diesel with axial fan. Rated power 50 HP (36.6 kW) @ 3000 rpm, displacement 2199 cc, peak torque 132.5 Nm @ 2000 rpm.
P1	E10 R00B	PERKINS 804C-33 (97/68/EC Step III A Approved), 4-cylinder, 4-stroke, water-cooled diesel with axial fan. Rated power 64 HP (47 kW) @ 2600 rpm, displacement 3331 cc, peak torque 200 Nm @ 1600 rpm.

LEGEND

OPTIONAL VARIANTS AND ACCESSORIES

PART NUMBER	DESCRIPTION
E10 R002	Twin-wheel rear axle (175/75 R16C)
E10 R003	"MAX" pick-up body 2630 x 1590 x 400 mm difference
E10 R010	Side-mounted PTO with disengagement and hydraulic pump (for tipping body)
E10 R011	Electronic odometer
E10 R012	Rev counter
E10 R013	Disengageable rear PTO unit with drive shaft and manual accelerator
E10 R014	Cataphoretic cab coating
E10 R015	Locking rear differential
E10 R020	Cab-mounted work-light bar with 2 lights
E11 R021	Inverter unit for rear PTO
Colour	Colours other than the standard red to be chosen from the catalogue (difference)
VARIANTS AND ACCESSORIES FOR PICK-UP BODY: SEE SECTION 4	