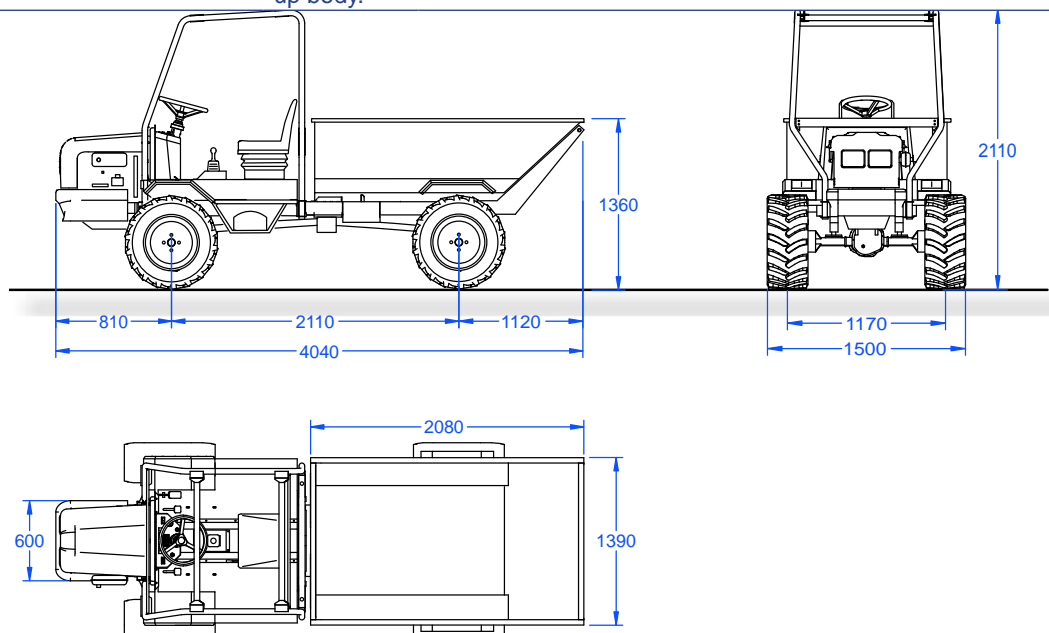




SUPERTRAC 4X4

TECHNICAL SPECIFICATIONS

DRIVER POSITION	1 central driver position with type-approved adjustable suspension-seat and seat-belt, key-operated ignition panel, hourmeter, pedal-operated accelerator.
GEARBOX	Synchronised 10 forward + 2 reverse speeds (5+1 low range, 5+1 high range).
BRAKES	Hydraulic with dual-circuit pump, rear drum brakes and front disc brakes. Mechanical parking brake on rear axle.
DRIVE	Permanent 4-wheel drive (optionally available with disengagement of front-wheel drive in high-range gears)
WHEELS/TYRES	29x12.50 - 15 TM PR6 High Flotation
BODY	1200 L steel pick-up body with electro-hydraulic tipping gear.
PAYLOAD	1100 kg (2000 kg gross vehicle weight rating).
CHASSIS	Tubular profiles and sheet steel with central joint on tapered roller bearings to optimise traction of the 4 driven wheels.
SUSPENSION	Rigid axle (front and/or rear leaf springs available as an option).
POWER TAKE-OFF	Predisposed, variable-speed central coupling (on transfer case).
ELECTRICAL SYSTEM	12V with regulation-compliant lighting system.
SPEED	max 28 km/h.
ROLL-BAR	Type-approved steel crush-protection.
STANDARD EQUIPMENT	Jack with wrench, hourmeter, rear-view mirrors, remote-mounted silencer, user accessories, use and maintenance manual, colour: red with white pick-up body.



VERSIONS

	PART NUMBER	DESCRIPTION
L	E012 G00A	Lombardini 12LD477-2/B3, twin-cylinder, 4-stroke, air-cooled diesel. Rated power 23.1 HP (17.0 kW) @ 3000 rpm. Displacement 954 cc.
L1	E012 G00B	Lombardini 9LD625/2, twin-cylinder, 4-stroke, air-cooled diesel. Rated power 26.0 HP (18.8 kW) @ 3000 rpm. Displacement 1248 cc, peak torque 67 Nm @ 2000 rpm.

OPTIONAL VARIANTS AND ACCESSORIES

PART NUMBER	DESCRIPTION
E12 G001	2010 x 1400 flat cargo bed with h=300 side panels/tailgate and manual tipping (difference)
E12 G002	2010 x 1400 flat cargo bed with h=300 side panels/tailgate and hydraulic tipping (difference)
E12 G003	Headboard (only for vehicles with flat cargo bed)
E12 G007	Transfer case with disengagement of front-wheel drive in high range gears
E12 G008	Rear PTO unit with drive shaft and manual accelerator
E12 G009	Rear PTO unit with in-cab disengage control, drive shaft and manual accelerator (available only with transfer case with disengagement, P/N E12 G007A)
E12 G010	Non-type-approved tow bar
E12 G011	Front leaf-springs
E12 G012	Rear leaf-springs
E12 G013	Reversing light
E12 G014	Manual accelerator
E12 G015	Hard top in galvanised steel
E12 G016	Fertiliser spreader with 300 L hopper and stainless steel spreader
E12 G017	Irrigation unit with 600 L tank and 2x50 m hose
E12 G019	Inverter unit for rear PTO
E12 G020	Pick-up body with raised side and front panels - see (difference)
Colour	Colours other than the standard red to be chosen from the catalogue (difference)
VARIANTS AND ACCESSORIES FOR FLAT CARGO BED: SEE SECTION 4	

