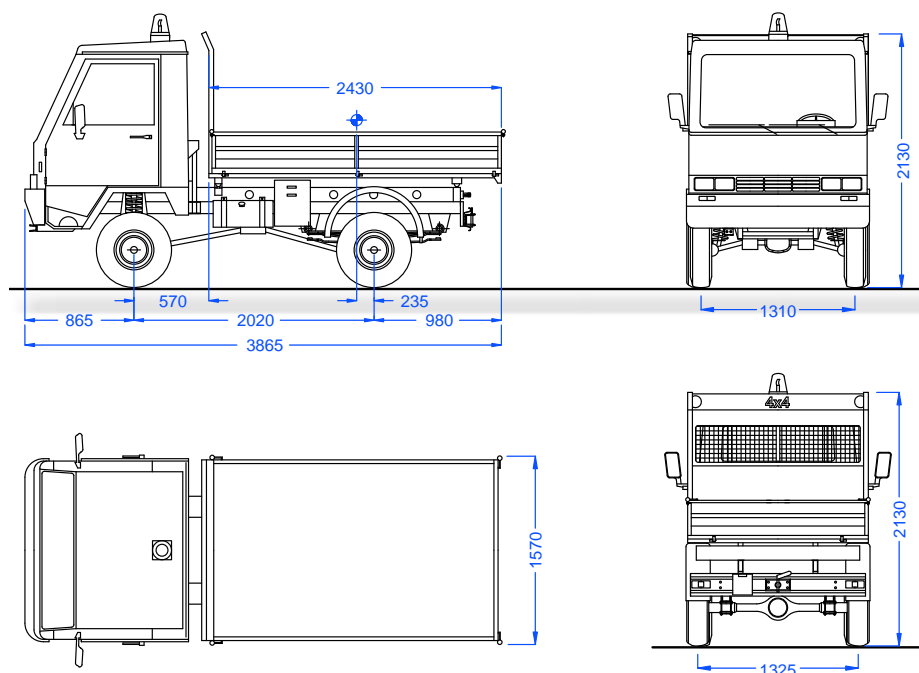




## TECHNICAL SPECIFICATIONS

<b>DRIVER POSITION</b>	Left-hand drive (optional power-assisted steering).
<b>GEARBOX</b>	10 forward + 2 reverse speeds (5+1 low range, 5+1 high range) with independent disengagement of the front-wheel drive (in both low and high range).
<b>BRAKES</b>	<b>Servo-assisted hydraulic brakes</b> , with dual-circuit pump, rear drums and front discs. Mechanical parking brake on rear axle.
<b>WHEELS/TYRES</b>	195R14C. (Optional remoulded 195/70 R15C off-road tyres, <u>not covered by warranty</u> ).
<b>BODY</b>	2430 x 1500 x 350 mm with headboard (behind cab). Electro-hydraulic three-way tipping with 2 pistons. Top- and bottom-hinged tailgate.
<b>PAYLOAD</b>	1800 kg (gross vehicle weight rating 3200 kg).
<b>SUSPENSION</b>	Front: <b>new design</b> MacPherson independent suspension with coil springs, wishbone lower arm and shock-absorbers with top mounting equipped with ball bearing. Rear: with leaf-springs and double-acting shock absorbers.
<b>CHASSIS</b>	Rigid chassis made of tubular profiles and sheet steel with counterframe. Variant with front joint on tapered roller bearings for enhanced grip of the four driven wheels on any type of terrain.
<b>POWER TAKE-OFF</b>	Predisposed, variable-speed central coupling (on transfer case).
<b>ELECTRICAL SYSTEM</b>	12V regulation-compliant lighting system, reversing light.
<b>SPEED</b>	40 km/h.
<b>CAB</b>	Type-approved 2 seats (optional 3 seats), sound-insulated with tempered glass, windscreen wipers, tilting bench seat, interior heating (not available with air-cooled engines), seat-belts, type-approved crush protection roll-bar.
<b>STANDARD EQUIPMENT</b>	Spare wheel, jack with wrench, rear light guards, tow bar (non-type approved), wash/wipe kit, combination light switch, user accessories, use and maintenance manual, colour: red.

# PANTERA



## VERSIONS

	PART NUMBER	DESCRIPTION	
<b>L</b>	E06 G00A	<b>Lombardini 9LD625/2</b> twin-cylinder, 4-stroke, air-cooled diesel. Rated power 26.0 HP (18.8 kW) @ 3000 rpm. Displacement 1248 cc, peak torque 67 Nm @ 2000 rpm.	
<b>L1</b>	E07 G00B	<b>Lombardini LDW 1404</b> (97/68/EC Step III A Approved), 4-cylinder, 4-stroke, water-cooled diesel with axial fan. Rated power 35.0 HP (25.5 kW) @ 3600 rpm, displacement 1371 cc, peak torque 78 Nm @ 2200 rpm.	
<b>L2</b>	E07 G00C	<b>Lombardini LDW 1603 CHD</b> (97/68/EC Step III A Approved), 3-cylinder, 4-stroke, water-cooled diesel with axial fan. Rated power 37.50 HP (27.6 kW) @ 3000 rpm, displacement 1649 cc, peak torque 106 Nm @ 1600 rpm.	
<b>3CE1</b>	E07 G00C	<b>ISUZU 3CE1/D</b> (97/68/EC Step III A Approved), 3-cylinder, 4-stroke, direct-injection, water-cooled diesel with axial fan. Rated power 40.5 HP (30.0 kW) @ 3000 rpm, displacement 1642 cc, peak torque 119.4 Nm @ 1200 rpm.	

## OPTIONAL VARIANTS AND ACCESSORIES

PART NUMBER	DESCRIPTION	
E05 G004	Rear PTO unit with disengagement, drive shaft and manual accelerator	
E05 G005	Tow bar, type-approved for trailer weight of 1500 kg	
E05 G006	Chassis with front joint on tapered roller bearings with shock absorbers	
E05 G007	Cataphoretic cab coating	
E05 G008	Power-assisted steering	
E05 G009	195/70 R15C tyres (difference)	
E05 G012	Electric windows	
E05 G014	Stereo radio system	
E05 G019	LINEA cab 3 type-approved seats	
E05 G020	Cab-mounted work-light bar with 2 lights	
E05 G021	Inverter unit for rear PTO	
Colour	Colours other than the standard red to be chosen from the catalogue (difference)	
<b>VARIANTS AND ACCESSORIES FOR PICK-UP BODY: SEE SECTION 4</b>		