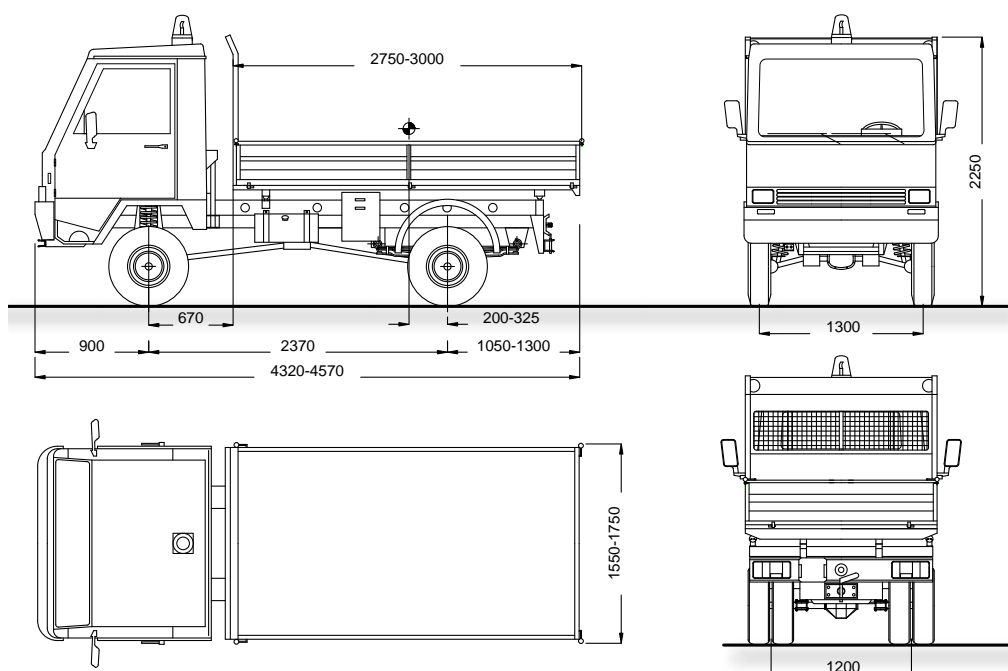




### TECHNICAL SPECIFICATIONS

<b>DRIVER POSITION</b>	Left-hand drive with power assisted steering as standard.
<b>GEARBOX</b>	<b>New Iveco gearbox</b> with 10 forward + 2 reverse speeds (5+1 low range, 5+1 high range) and <b>reinforced final drive with third locking differential</b> .
<b>BRAKES</b>	Servo-assisted hydraulic brakes with brake compensator, dual-circuit pump, rear drums and front discs. Mechanical parking brake on rear axle.
<b>DIMENSIONS</b>	Wheelbase 2370 mm, length 4320 mm.
<b>WHEELS/TYRES</b>	205/75R16C.
<b>BODY</b>	2750 x 1600 x 400 mm with headboard (behind cab). Electro-hydraulic three-way tipping with 2 pistons.
<b>PAYLOAD</b>	Max 1750 kg, gross vehicle weight rating 3500 kg.
<b>SUSPENSION</b>	Front: MacPherson independent suspension with coil springs and shock-absorbers with top mounting equipped with ball bearing. Rear: with parabolic leaf-springs, double-acting shock absorbers and auxiliary leaf spring.
<b>CHASSIS</b>	Bolted steel chassis comprising 2 ASSOFLEX C-section rails.
<b>POWER TAKE-OFF</b>	Predisposed, variable-speed central coupling (on transfer case).
<b>ELECTRICAL SYSTEM</b>	12V regulation-compliant lighting system, reversing light, rear fog light.
<b>SPEED</b>	40 km/h.
<b>CAB</b>	<b>Type-approved for 3 seats</b> , sound-insulated with tempered glass, windscreen wipers, split sliding seats, seat-belts, interior heating, type-approved crush protection roll-bar.
<b>STANDARD EQUIPMENT</b>	Spare wheel, jack with wrench, type-approved tow bar for unbraked trailer weight of 1500 kg, electric windows, stereo radio system, rear light guards, wash/wipe kit, light combination switch, user accessories, use and maintenance manual, colour: red.

**MITHOS**  
 "TWIN-WHEEL"



## VERSIONS

PART NUMBER	DESCRIPTION
<b>LDW</b> E07 G00A	<b>Lombardini LDW 2204 CHD</b> (97/68/EC Step III A Approved), 4-cylinder, 4-stroke, water-cooled diesel with axial fan. Rated power 50 HP (36.6 kW) @ 3000 rpm, displacement 2199 cc, peak torque 132.5 Nm @ 2000 rpm.
<b>P1</b> E07 G00C	<b>PERKINS 804C-33</b> (97/68/EC Step III A Approved), 4-cylinder, 4-stroke, water-cooled diesel with axial fan. Rated power 64 HP (47 kW) @ 2600 rpm, displacement 3331 cc, peak torque 200 Nm @ 1600 rpm.
<b>I1</b> E07 G00D	<b>IVECO F32-MNS TURBO</b> (97/68/EC Step III A Approved), 4-cylinder, 4-stroke, water-cooled diesel with axial fan. Rated power 75 HP (55 kW) @ 2500 rpm, displacement 3200 cc, peak torque 281 Nm @ 1250 rpm.

## OPTIONAL VARIANTS AND ACCESSORIES

PART NUMBER	DESCRIPTION
E07 G001	LONG WHEELBASE version (wheelbase 2670, length 4620, payload 1700 kg) difference
E07 G002	MAX pick-up body 3050 x 1600 x 400 mm ( <b>requires LONG WHEELBASE</b> ) difference
E07 G008	Side-mounted PTO with disengagement and hydraulic pump (for tipping body)
E07 G009	Electronic odometer
E07 G011	Disengageable rear PTO unit with drive shaft and manual accelerator
E07 G012	Cataphoretic cab coating
E07 G013	Locking rear differential
E07 G014	215/75 R16C tyres (difference)
E07 G015	Hydraulic braking system for trailer weight of 6000 kg
E07 G016	XL cab, width 170 cm - difference
E07 G016-1	MAXI cab, width 180 cm - difference
E07 G020	ZF transmission (difference)
E07 G022	External sun visor on cab
E07 G023	Cab-mounted work-light bar with 2 lights
E07 G024	Rear disc brakes ( <b>with ventilated front disc brakes</b> ) - difference
E07 G027	Air conditioning
E07 G028	Inverter unit for rear PTO
Colour	Colours other than the standard red to be chosen from the catalogue (difference)
<b>VARIANTS AND ACCESSORIES FOR PICK-UP BODY: SEE SECTION 4</b>	