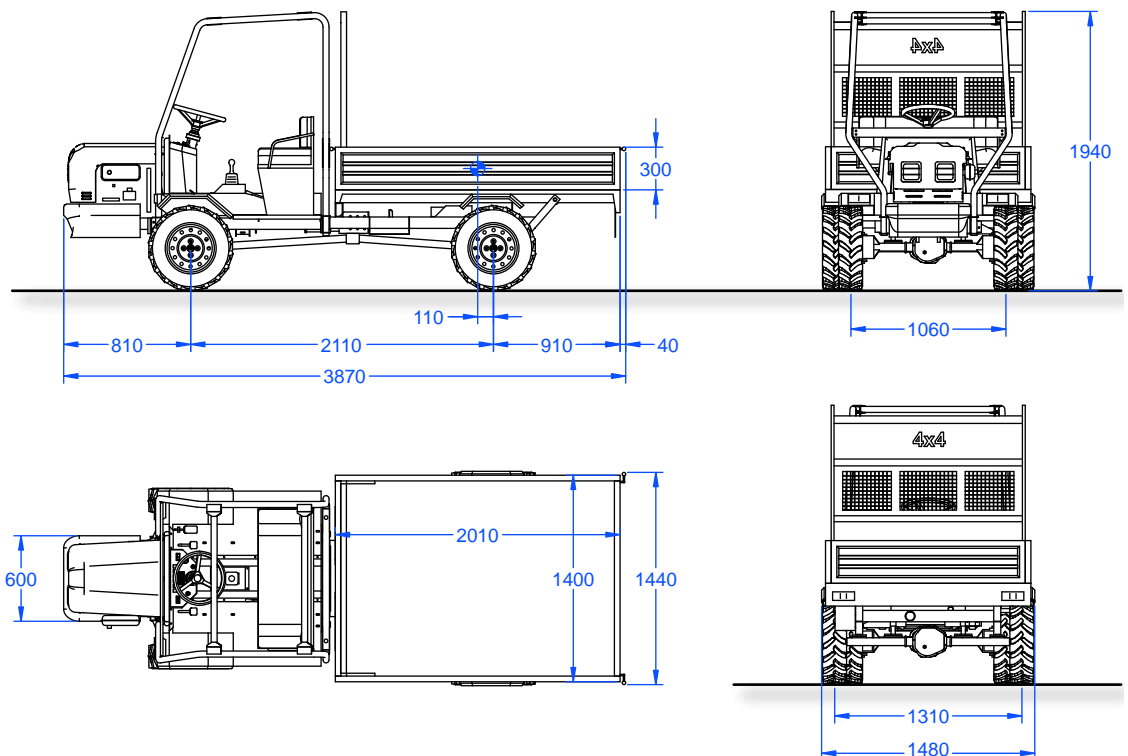




TECHNICAL SPECIFICATIONS

DRIVER POSITION	Central.
GEARBOX	10 forward + 2 reverse speeds (5+1 low range, 5+1 high range).
BRAKES	Hydraulic with dual-circuit pump, rear drum brakes and front disc brakes. Mechanical parking brake on rear axle.
DRIVE	Permanent 4-wheel drive.
WHEELS/TYRES	6.5/80x15 TM.
BODY	2010 x 1400 x 300 mm.
PAYLOAD	1100 kg (2000 kg gross vehicle weight rating).
CHASSIS	Tubular profiles and sheet steel with central joint on tapered roller bearings.
POWER TAKE-OFF	Predisposed, variable-speed central coupling (on transfer case).
ELECTRICAL SYSTEM	12V with regulation-compliant lighting system.
SPEED	30.68 km/h.
ROLL-BAR	Type-approved crush protection.
STANDARD EQUIPMENT	Spare wheel, jack with wrench, hourmeter, rear-view mirrors, <u>remote-mounted silencer</u> , <u>remote-mounted fuel tank (for RAMBO ECON L1 only)</u> , seat-belt, user accessories, use and maintenance manual, colour: red.



VERSIONS

	PART NUMBER	DESCRIPTION
L	E01 G00A	Lombardini 12LD477-2/B3, twin-cylinder, 4-stroke, air-cooled diesel. Rated power 23.1 HP (17.0 kW) @ 3000 rpm. Displacement 954 cc.
L1	E01 G00B	Lombardini 9LD625/2, twin-cylinder, 4-stroke, air-cooled diesel. Rated power 26.0 HP (18.8 kW) @ 3000 rpm. Displacement 1248 cc, peak torque 67 Nm @ 2000 rpm.

OPTIONAL VARIANTS AND ACCESSORIES

PART NUMBER	DESCRIPTION
E01 G001	Electro-hydraulic tipping of body
E01 G002	Cab with tempered glass and windscreen wiper
E01 G003	Headboard (behind cab)
E01 G007	Rear PTO unit with drive shaft and manual accelerator
E01 G008	Rear PTO unit with in-cab disengage control, drive shaft and manual accelerator (available only with transfer case with disengagement, P/N E01 G009A)
E01 G009	Transfer case with disengagement of front-wheel drive in high range gears
E01 G010	Non-type-approved tow bar
E01 G011	Front leaf-springs
E01 G012	Rear leaf-springs
E01 G014	Reversing light
E01 G013	Remote-mounted fuel tank (for RAMBO ECON L only)
E01 G015	Cataphoretic cab coating
E01 G016	Manual accelerator
E01 G018	Hard top in galvanised steel
E01 G019	Inverter unit for rear PTO
Colour	Colours other than the standard red to be chosen from the catalogue (difference)
	VARIANTS AND ACCESSORIES FOR PICK-UP BODY: SEE SECTION 4